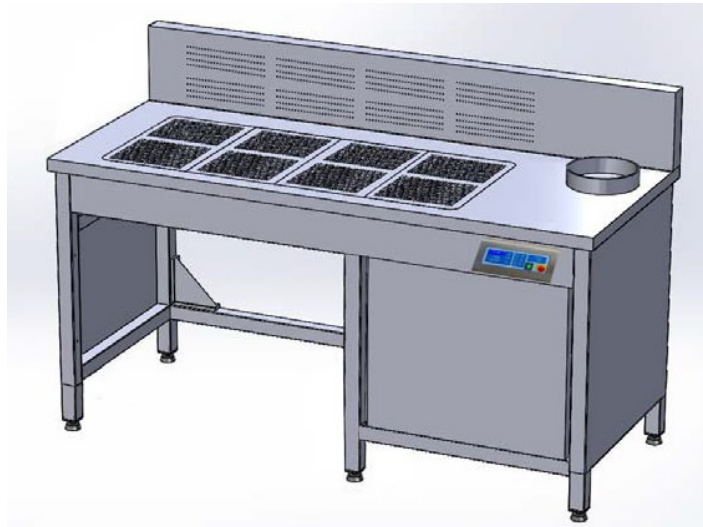


TECH Line

QUICK GUIDE

RECEIVING TECH



RECEIVING TECH MODELS 130 - 150 and 180

CODES :

50-130-301 model 90

50-150-301 model 130

50-180-301 model 180

Histology Extraction Bench designed for receipt of disposable containers during the reporting of the histological specimen preserved in formalin. Provided with aspiration system from working surface and frontal side and predisposed for fumes discharge outside

made in italy



BENCH LAB TECH



This new hood substitutes previous code 19-100/80 and 19-100/120

WORK SURFACE in STEEL BUILT IN COMPLIANCE WITH CE EN 14175

Aspirated bench-top hood for manual staining or mounting procedures and biological risk prevention

**ASPIRATION SYSTEM FROM
FRONTAL AND TOP SIDE**

It is possible to locate it on the laboratory benches

BENCH LAB TECH MODEL 90

CODE 50-090-201 Bench top hood model 090

BENCH LAB TECH MODEL 130

CODE 50-130-201 Bench top hood model 130

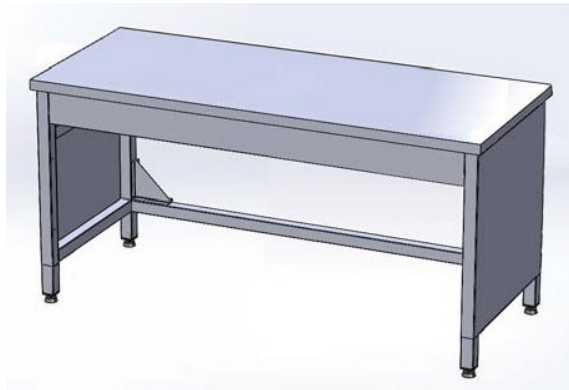
BENCH LAB TECH MODEL 150

CODE 50-150-201 Bench top hood model 150

made in italy



DESK TECH



*STEEL LABORATORY BENCHES
OF VARIOUS SIZES WITH OR
WITHOUT RESERVOIR.
COMPLETION OF A TECH LINE*

DESK TECH MODEL 90

- CODE. 50-090-401 With smooth worktop
- CODE 50-090-402 Working plane with containment edge
- CODE 50-090-403 Working plane with 1 sink

DESK TECH MODEL 130

- CODE 50-130-401 With smooth worktop
- CODE 50-130-402 Working plane with containment edge
- CODE 50-130-403 Working plane with left sink
- CODE 50-130-404 Working plane with right sink

DESK TECH MODEL 150

- CODE. 50-150-401 With smooth worktop
- CODE 50-150-402 Working plane with containment edge
- CODE 50-150-403 Working plane with left sink
- CODE 50-150-404 Working plane with right sink

DESK TECH MODEL 180

- CODE 50-180-401 With smooth worktop
- CODE 50-180-402 Working plane with containment edge
- CODE 50-180-403 Working plane with left sink
- CODE 50-180-404 Working plane with right sink

made in italy



LAB TECH



LAB TECH MODEL 130

CODE 50-130-101 with working plane with containment edge

CODE 50-130-102 with working plane without containment edge

CODE 50-130-103 with working plane with left sink

CODE 50-130-104 with working plane with right sink

LAB TECH MODEL 150

CODE 50-150-101 with working plane with containment edge

CODE 50-150-102 with working plane without containment edge

CODE 50-150-103 with working plane with left sink

CODE 50-150-104 with working plane with right sink

CODE 50-150-105 with working plane with double sink

LAB TECH MODEL 180

CODE 50-180-101 with working plane with containment edge

CODE 50-180-102 with working plane without containment edge CODE 50-

180-103 with working plane with left sink

CODE 50-180-104 with working plane with right sink

CODE 50-180-105 with working plane with double sink

LAB TECH MODEL 90

CODE 50-090-101 with working plane with containment edge

CODE 50-090-102 with working plane without containment edge

CODE 50-090-103 with working plane with left sink

CODE 50-090-104 with working plane with right sink

made in italy



TRIMMING TECH



Built in compliance with CE EN 14175 regulations to satisfy every Operator's necessity from the biological risk prevention to reporting and reduction procedures.

*ASPIRATION SYSTEM
FROM WORKING
SURFACE, FRONTAL AND
TOP SIDE*

*UNIQUE DEVICE ON THE MARKET
PROVIDED WITH AN INNOVATIVE
FORMALIN COMPARTMENT
SUCTION SYSTEM*

TRIMMING TECH MODEL 90

- CODE 50-090-001 Histology hood Trimming Tech , left sink
CODE 50-090-002 Histology hood Trimming Tech , right sink

TRIMMING TECH MODEL 130

- CODE 50-130-001 Histology hood Trimming Tech , left sink
CODE 50-130-002 Histology hood Trimming Tech , right sink

TRIMMING TECH MODEL 150

- CODE 50-150-001 Histology hood Trimming Tech , left sink
CODE 50-150-002 Histology hood Trimming Tech , right sink

TRIMMING TECH MODEL 180

- CODE 50-180-001 Histology hood Trimming Tech , left sink
CODE 50-180-002 Histology hood Trimming Tech , right sink
CODE 50-180-003 Histology hood Trimming Tech , central sink

IMAGING SYSTEM MAS 10



VERSION FOR TRIMMING TECH MOD. 130—150—180:

- | | |
|-----------------|-----------------|
| CODE 50-200-000 | pc touch screen |
| CODE 50-200-100 | desk top pc |

VERSION IN STAND

- | | |
|-----------------|-----------------|
| COD. 50-200-001 | pc touch screen |
| COD. 50-200-101 | desk top pc |

